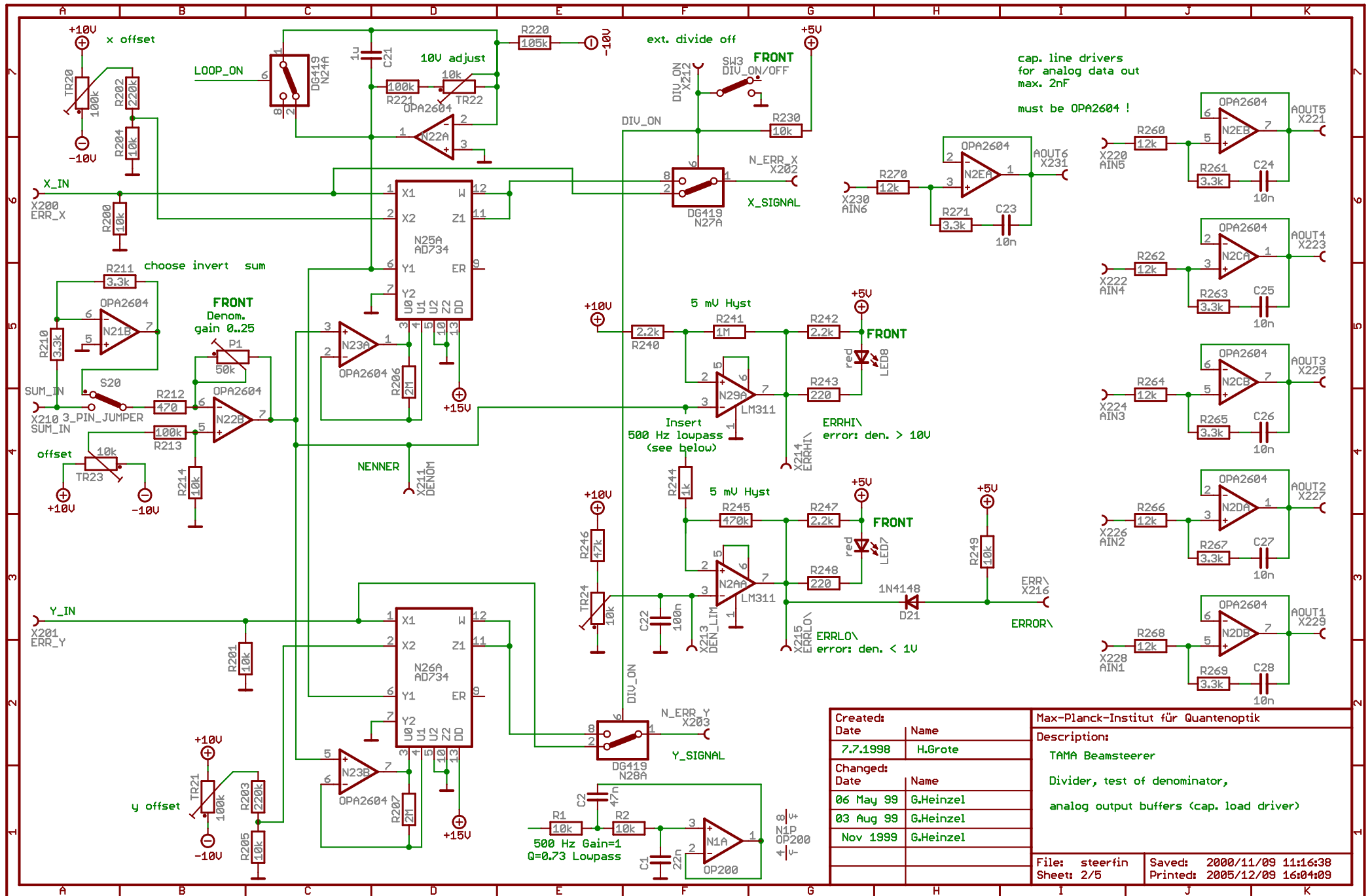
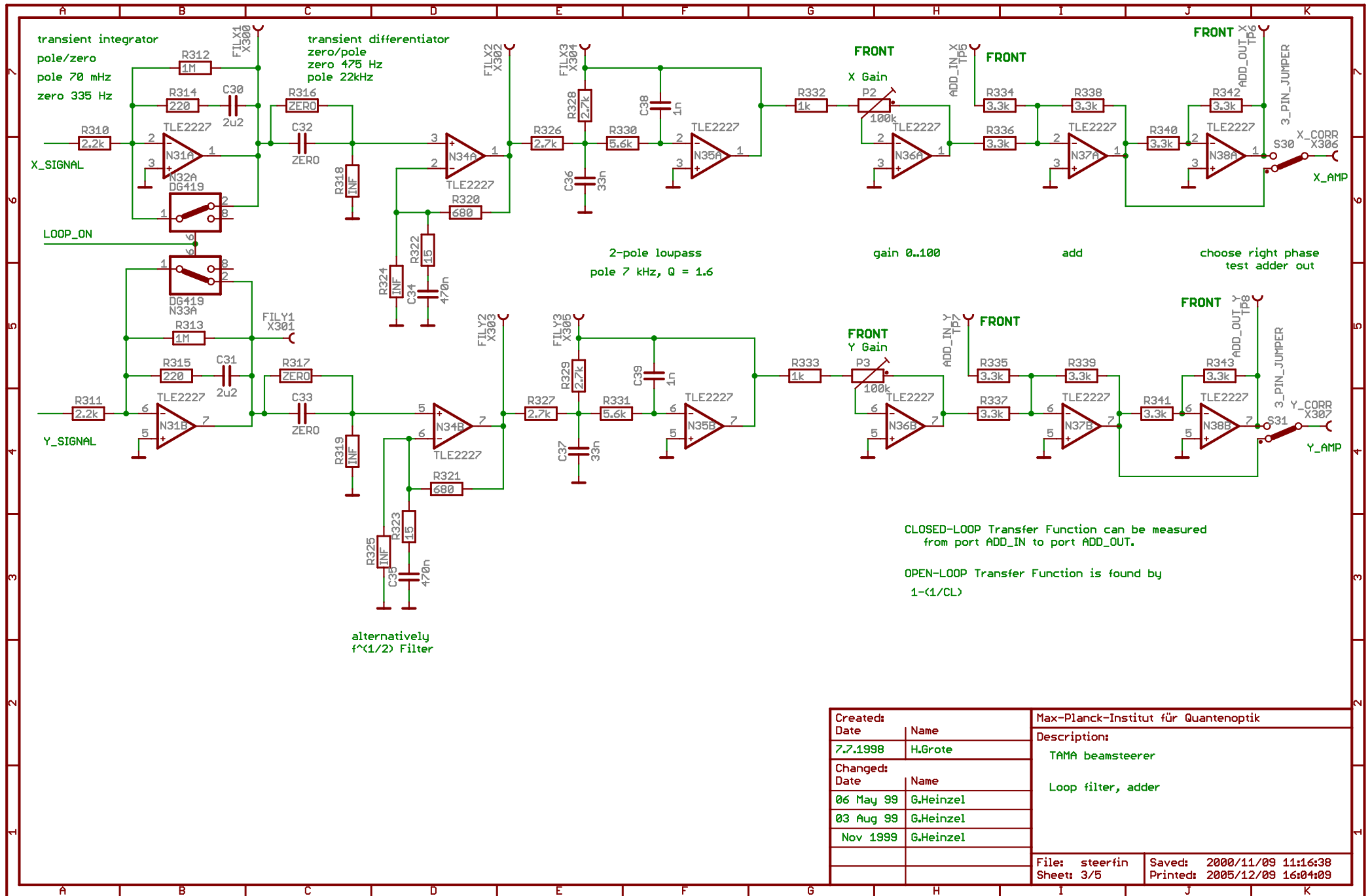


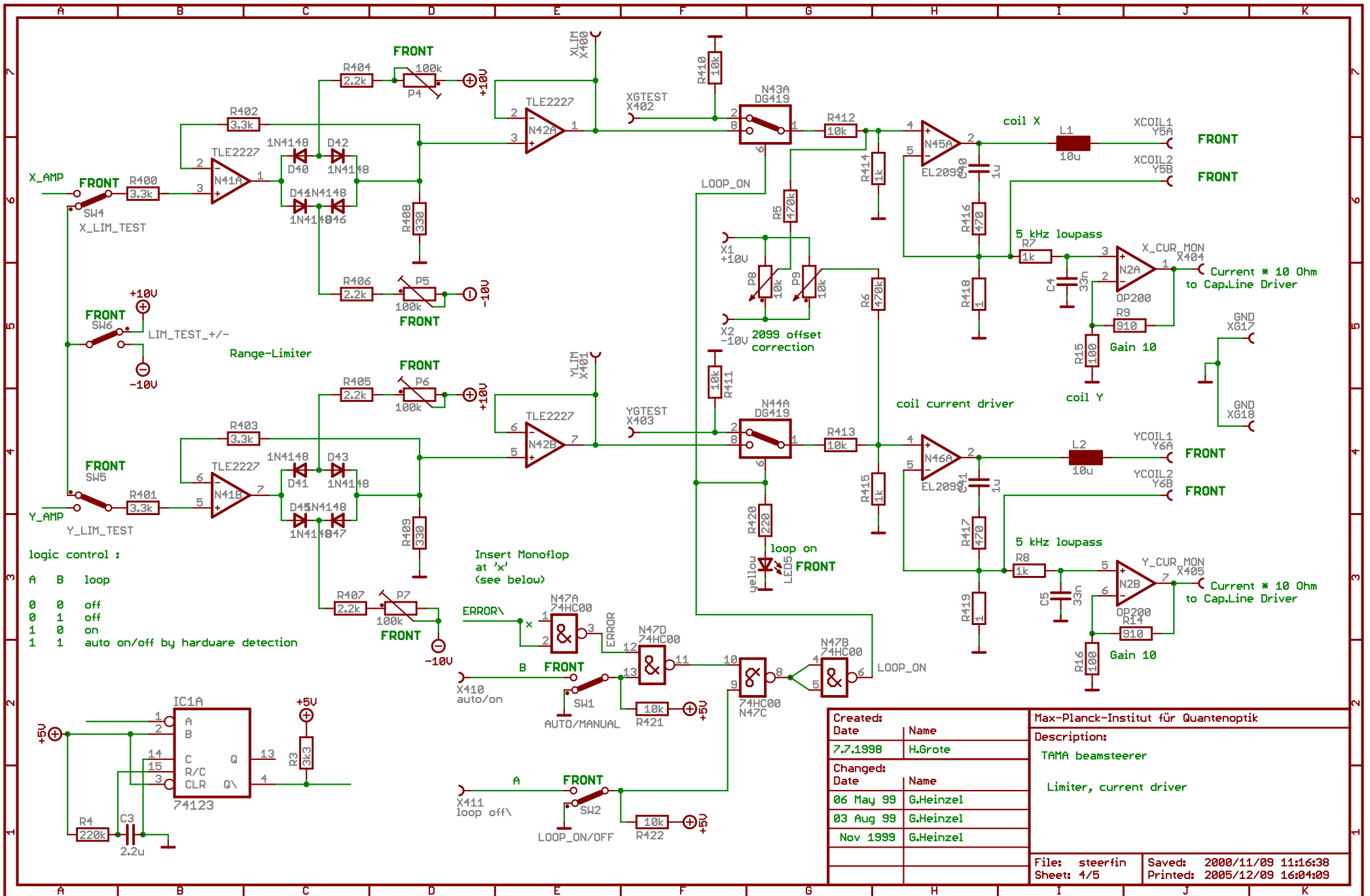
| | | | |
|-----------|-----------|--------------------------------------|------------------------------|
| Created: | | Max-Planck-Institut für Quantenoptik | |
| Date | Name | Description: | |
| 8.7.1998 | H.Grote | TAMA Beamsteerer | |
| Changed: | | Power Supply | |
| Date | Name | | |
| 06 May 99 | G.Heinzel | | |
| 03 Aug 99 | G.Heinzel | | |
| Nov 1999 | G.Heinzel | | |
| | | | |
| | | File: steerfin | Saved: 2000/11/09 11:16:38 |
| | | Sheet: 1/5 | Printed: 2005/12/09 16:04:09 |

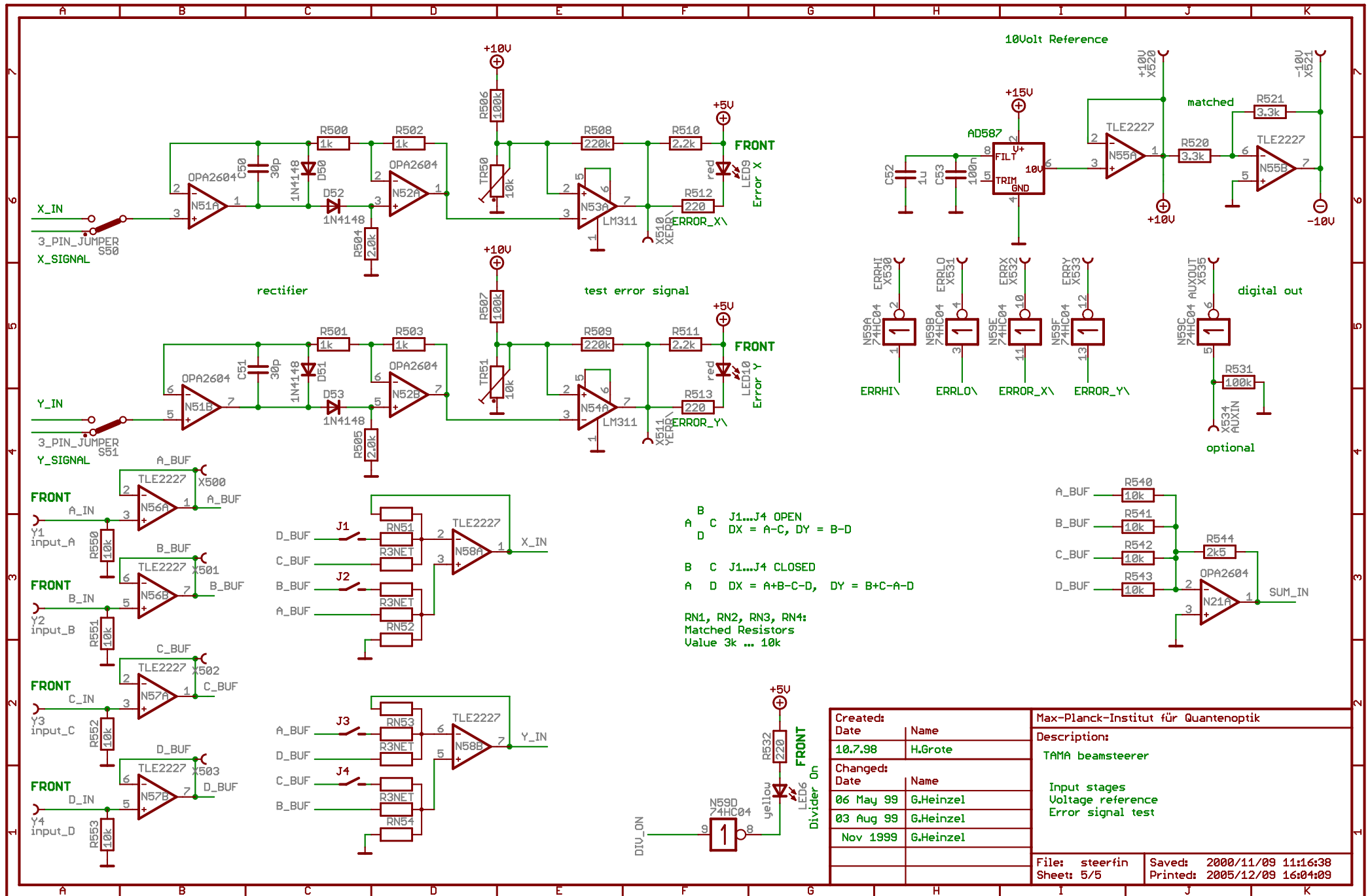


| | | | |
|-----------|-----------|--|------------------------------|
| Created: | | Max-Planck-Institut für Quantenoptik | |
| Date | Name | Description: | |
| 7.7.1998 | H.Grote | TAMA Beamsteerer | |
| Changed: | | Divider, test of denominator, | |
| Date | Name | analog output buffers (cap. load driver) | |
| 06 May 99 | G.Heinzel | | |
| 03 Aug 99 | G.Heinzel | | |
| Nov 1999 | G.Heinzel | | |
| | | File: steerfin | Saved: 2000/11/09 11:16:38 |
| | | Sheet: 2/5 | Printed: 2005/12/09 16:04:09 |



| | | | |
|-----------|-----------|--------------------------------------|------------------------------|
| Created: | | Max-Planck-Institut für Quantenoptik | |
| Date | Name | Description: | |
| 7.7.1998 | H.Grote | TAMA beamsteerer | |
| Changed: | | Loop filter, adder | |
| Date | Name | | |
| 06 May 99 | G.Heinzel | | |
| 03 Aug 99 | G.Heinzel | | |
| Nov 1999 | G.Heinzel | | |
| | | File: steerfin | Saved: 2000/11/09 11:16:38 |
| | | Sheet: 3/5 | Printed: 2005/12/09 16:04:09 |





B C J1...J4 OPEN
 A D DX = A-C, DY = B-D

 B C J1...J4 CLOSED
 A D DX = A+B-C-D, DY = B+C-A-D

 RN1, RN2, RN3, RN4:
 Matched Resistors
 Value 3k ... 10k

| | | | |
|-----------|-----------|--------------------------------------|---------------------|
| Created: | | Max-Planck-Institut für Quantenoptik | |
| Date | Name | Description: | |
| 10.7.98 | H.Grote | TAMA beamsteerer | |
| Changed: | | Input stages | |
| Date | Name | Voltage reference | |
| 06 May 99 | G.Heinzel | Error signal test | |
| 03 Aug 99 | G.Heinzel | | |
| Nov 1999 | G.Heinzel | | |
| | | File: | steerfin |
| | | Sheet: | 5/5 |
| | | Saved: | 2000/11/09 11:16:38 |
| | | Printed: | 2005/12/09 16:04:09 |